



# Access Portal PRO

Product specification  
**CATALOGUE**

Sophisticated Access Control and Time and Attendance Monitoring have just been made easier and more accessible than ever before. Everything you need to secure and manage your site – or sites (up to 25 sites).

Simple to work with, yet flexible and expandable, **Access Portal Pro** is a premium Access Control Software Suite from Impro Technologies to complement its 3<sup>rd</sup> Generation range of access control hardware products.

**Access Portal Pro** may be configured, operated and maintained over Ethernet – users can be allocated profiles that permit access only to the functions necessary for the tasks they need to perform.

The feature-rich web application is securely accessible via browser. This means that the system is easily accessible via any PC or tablet that has Ethernet or WLAN access to the server.

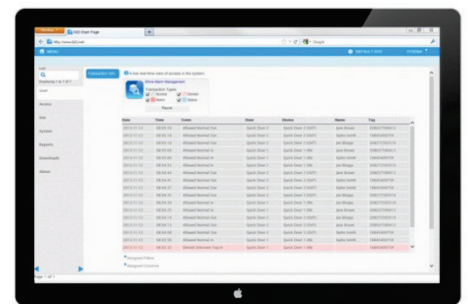
Compatible Access Control Hardware includes the wonderfully versatile black ABS Access Portal **Cluster Modules** (or their *IPS housing installation equivalents*) as well as the legacy iTT/iTRT units - and compatible readers and peripheral hardware.

## Standard Features:

- Quick to install, simple to configure
- Time and event triggered actions
- Door mode patterns
- Access Groups
- Programmable holidays
- Tag programming
- Multiple tags per tagholder
- Tag expiry
- Tag suspension facilities
- Anti-passback control
- SQL database
- User customised operator security facilities
- Customisable web reports
- Browser based user interface
- Auto hardware configuration
- IP Controllers
- Web visitor enrolment
- Biometric integration
- Multi-site
- Password protection
- Encrypted communications

## Capacity:

- Up to 5 000 Tagholders
- Up to 100 APB Doors per Site
- Up to 25 Sites



## Applications

### Access control and/or Time and Attendance Monitoring of:

Medium Corporates  
Office Parks  
Residential Estates  
Hospitals  
Schools  
Parkades  
Warehouses

## Key Features

### Operator Logins

User Name, Password and Profile selection

### Operator Profiles

Defining Operator Profiles  
Defining Profile-specific filtering

### Sites

Configure, + New, Save, Delete

### Building Settings

Configure, + New, Save, Delete

### Floor Settings

Configure, + New, Save, Delete

### Zone Settings (anti pass-back zones)

Configure, + New, Save, Delete

### Door Settings

Configure  
Create Doors Automatically (On Device Installation)

### Readers

Configure, Save, Delete

### Reader Profiles

Selection and Configuration

### Tags

TYPE Truncation Rules

### User Fields

Configuration, + New, Save, Delete

### Controller Settings

Scan Network for Controllers/Devices  
Configure (Controller name, IP address, Building, Floor, diagnostic reporting)  
Zone (select and/or configure) to act on the selected controller  
Time Pattern Selection and Configuration  
Profile Selection and Configuration  
Synchronisation  
Find all Controllers by scanning  
Replacing a single controller with another

### Time and daylight saving options

This is linked to the host Server Machine's System Clock and Time Zone.

### Holidays

User-Defined names and periods

### Tagholder Settings

New, Configure (No Delete)  
Status (Select between Normal, Suspend, Suspend with Alarm)  
Allocating of Personal Identification Number (PIN), Fingerprint Templates, Personal Access Codes (PAC), RFID Tags  
APB Override (Allow consecutive zone entries)  
Reporting option  
Start & Stop Dates  
Type (Access only, or Access and Time)

### Access Group Settings

Actions on Entry  
Actions on Exit  
Area selection  
Start and End dates  
Suspend Group  
Time pattern selection

### Device Time Patterns

User-defined time periods that can be applied to Reader behaviour styles

### Access Time Patterns

User-defined time periods that can be applied to Access Groups

### Live display of transactions

Column Selection for current session  
Filtering for current session

### Messages

Configure messages activated by events, etc.

### Customisable Reports

Report by Tagholders  
Report by Transactions  
*More reporting functions will become available*

## Downloadable Client Software Modules

*These are for tag and fingerprint enrolment hardware that could be connected via USB to a designated PC:*

### MDE

Multi Discipline RFID Tag Enroller

### BMTA

Biometric Multi discipline Time and Attendance reader. It can enrol RFID Tags, Fingerprint Templates and also accept PIN code entry.

### Morpho

The Morpho Brand Biometric scanner for enrolling finger print templates.

### Nitgen

The Nitgen Brand Biometric scanner for enrolling finger print templates

## System Requirements

### Access Portal Server

- Intel Xeon 3.4 GHz
- RAM 4 GB
- Available Disk Space 20 GB
- Screen Resolution 1280 x 800
- SQL Server 2012 Express With Advanced Services
- Internet Information Services (IIS) with ASP.Net Extensions

### Minimum Client Requirements

- Intel Core i3 2.4 GHz
- RAM 4 GB
- Available Disk Space 2 GB
- Screen Resolution 1280 x 800

### System Software Requirements (Client and Server)

- Windows 7 Professional
- Chrome v31.0 (Recommended) or Firefox v25.0 or Internet Explorer v10
- DotNet Framework v3.5 and v4.0
- Microsoft Visual C++ Redistributable 2005 SP1, 2008 SP1, 2010 SP1, 2012

### Warranty Details

This product conforms to our Warranty details on [www.impro.net](http://www.impro.net)

### Related Information

For extra information relating to the product refer to:

SAP301-0-0-GB-XX : Access Portal Quick Start Guide

### Ordering Information

Order the Access Portal Pro Software Licence using the following Number:

SAP900-0-0-NN-XX : Access Portal Pro Software Licence

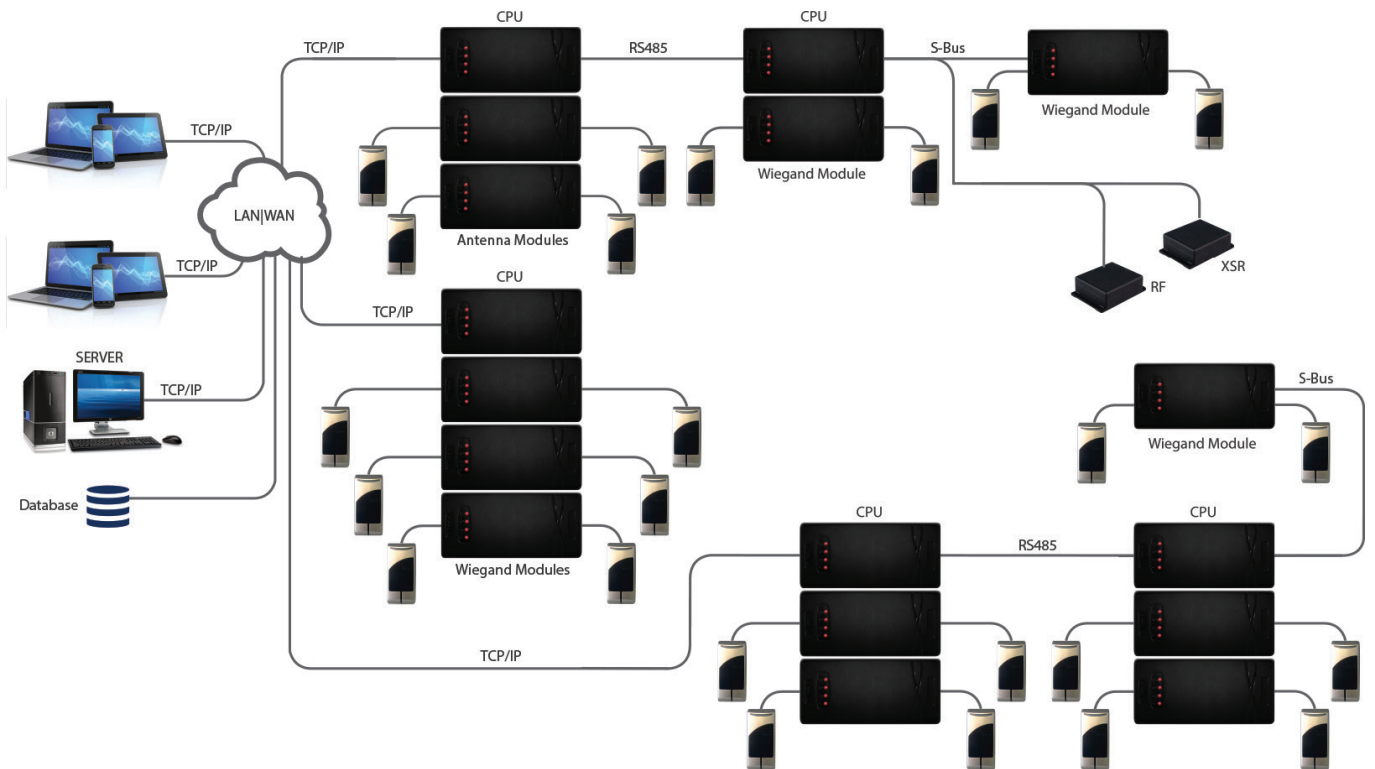


Figure 1: System layout showing the networking flexibility of Access Portal Pro

This Specification is applicable to: Access Portal Pro Version 1.1.42123

SAP350-0-0-GB-00	Issue 1	November 2013	IMPRO\Access Portal\Access Portal Pro Software Manuals\Product Specification Catalogue\Latest Issue\APP-psc-01.docx
------------------	---------	---------------	---